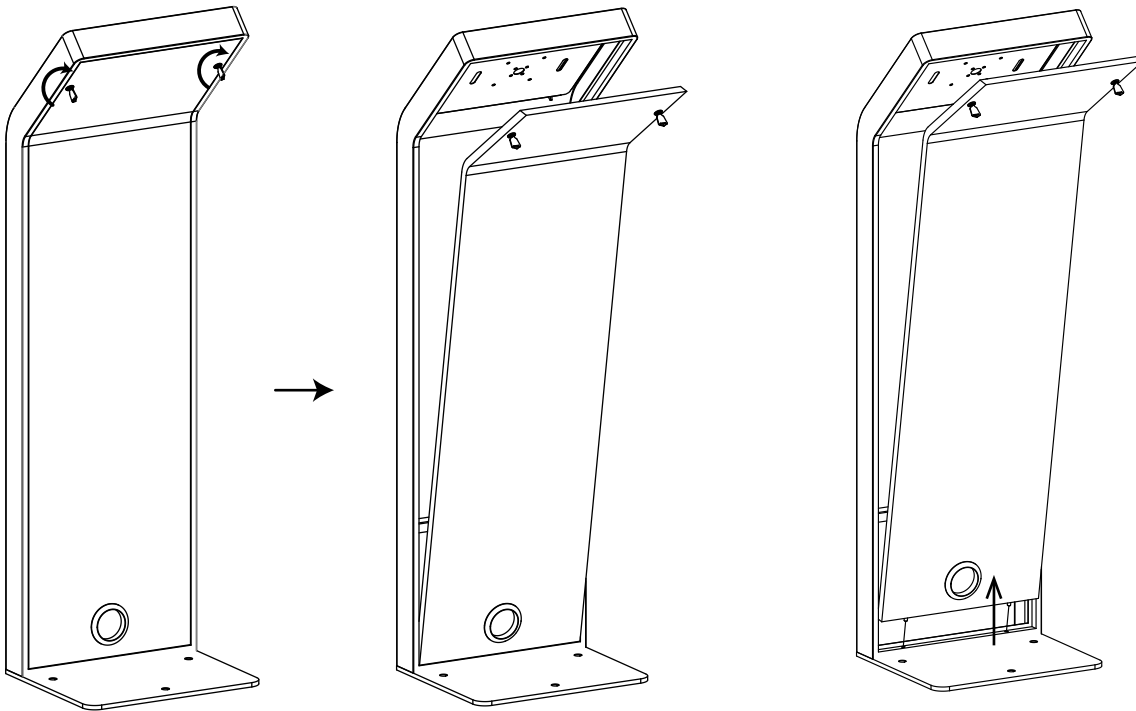


INSTALLATION INSTRUCTIONS

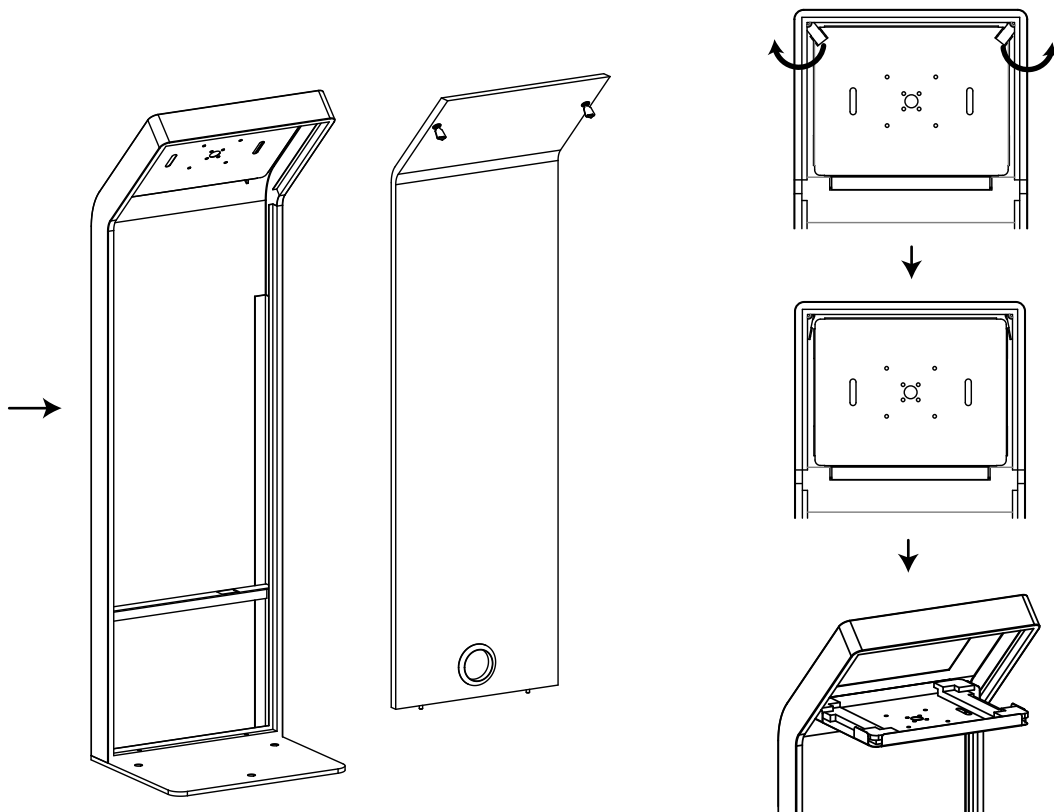
IPGRAND9, IPGRAND12 - Tablet Kiosk Stand with Lock

V21.01

Turn keys at the back to unlock the back panel. Carefully pull the back panel up then remove it from the tablet stand.



Inside the enclosure, turn the tabs outwards at the top as shown. The tablet holder can be released now.

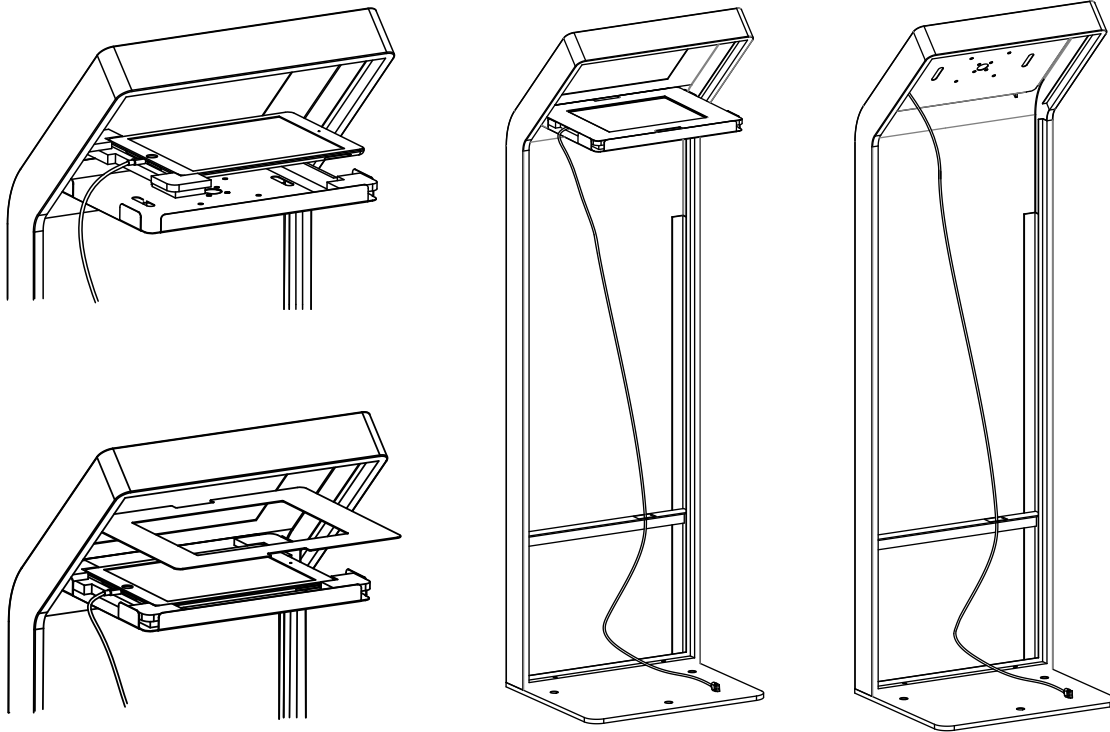


INSTALLATION INSTRUCTIONS

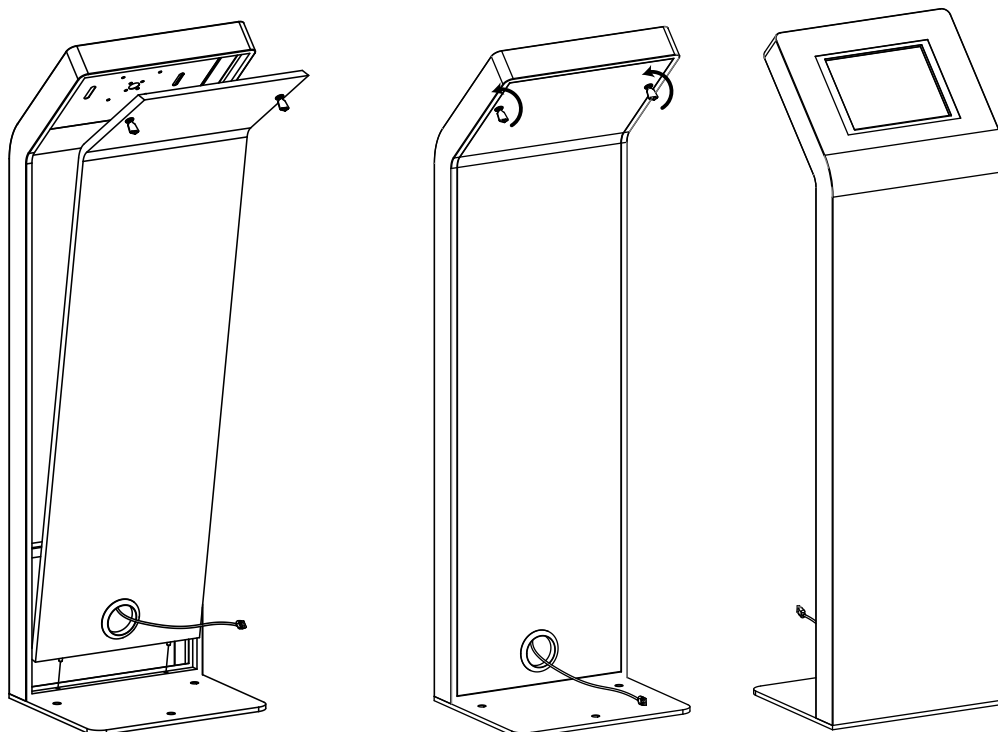
IPGRAND9, IPGRAND12 - Tablet Kiosk Stand with Lock

V21.01

Fit your tablet (not included) inside the cushioning foam and place it in the tablet holder. Place the cover piece on top of the tablet. Connect the charging cable with your tablet and insert the other end through the cutout as shown.



Reverse Step 1 to replace the back panel and wire the cable out through the round hole at the bottom. Lock the panel securely and the assembly is finished.



Scan QR code to visit
the product page:

